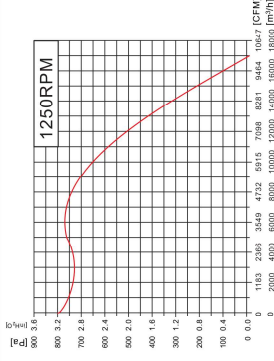
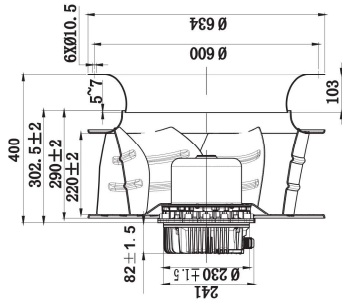


Material: Impeller made of aluminum alloy
Type of protection: IP54
Technical features: Control input 0-10VDC/PWM
tach output, RS485 MODBUS
Bearing: Ball bearing
Protection: locked-rotor protection, current limited, under-voltage and over-voltage lockout protection, soft start, phase failure detection
Motor Insulation Class: F
Direction of rotation: Anticlockwise, see on the leads.
Approvals: CCC11006057817
Amb.Temp: -25-60°C

Type	Motor	Voltage (VAC)	Frequency (Hz)	Airflow (m³/h)	Airflow (CFM)	Speed (rpm)	Power (W)	Current (A)	Noise Lp(dBA)
SC630F5-AKT-00	DM150F5-AKT-03	3-380	50/60	16000	9417	1200	1600	2.6	85



Material: Impeller made of plastic PA66
Type of protection: IP54
Technical features: Control input 0-10VDC/PWM
tach output, RS485 MODBUS
Bearing: Ball bearing
Protection: locked-rotor protection, current limited, under-voltage and over-voltage lockout protection, soft start, phase failure detection
Motor Insulation Class: F
Direction of rotation: Anticlockwise, see on the leads.
Approvals: CCC11006057817
Amb.Temp: -25-60°C

Type	Motor	Voltage (VAC)	Frequency (Hz)	Airflow (m³/h)	Airflow (CFM)	Speed (rpm)	Power (W)	Current (A)	Noise Lp(dBA)
SC630F5-AKT-02	DM150F5-AKT-06	3-380	50/60	17000	10006	1250	1900	3	86

