

FE2owlet-ECblue

for single phase alternating current, 200-277 V

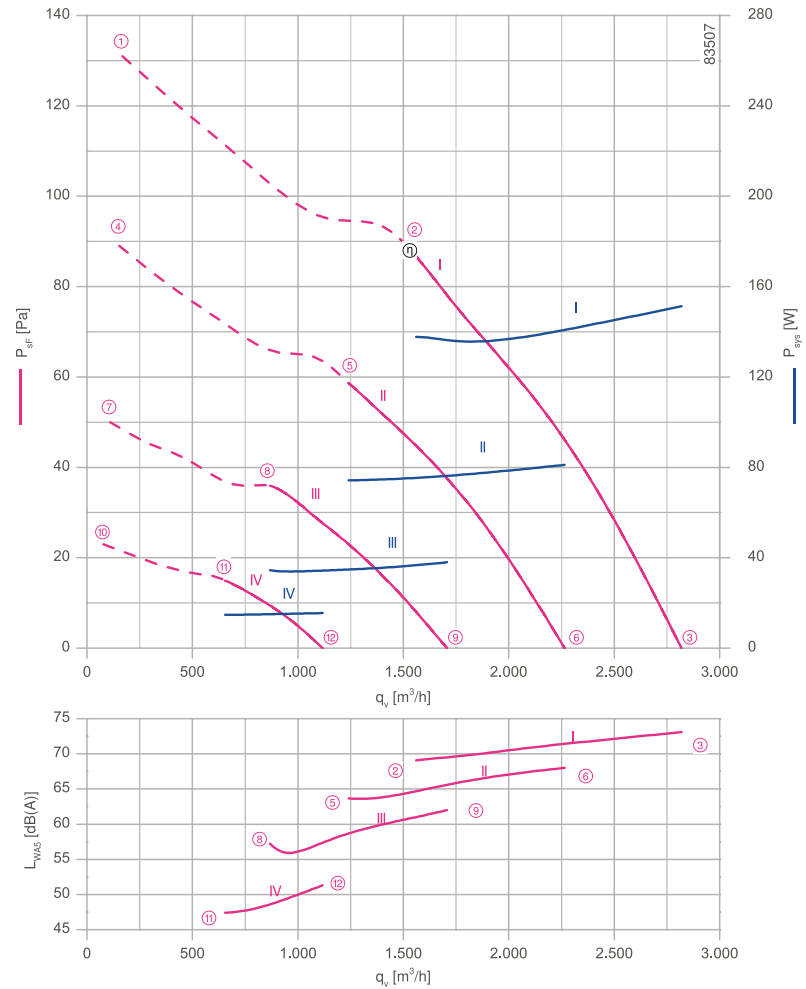
FNO30



Description

Motor technology: EC
 Rated voltage U: 1~ 200-277 V*
 Rated frequency f: 50/60 Hz*
 Motor input power P_{sys} : 0.15 kW*
 Rated current I: 1.15- 0.84 A*
 Rated speed n_{max} : 1900 min⁻¹*
 Thermal class: THCL155*
 Min. permitted conveyor temperature $t_{R(min)}$: -25 °C
 Max. permitted conveyor temperature $t_{R(max)}$: 60 °C
 Electrical connection: Integrated controller with attached cable
 Number of blades: 7
 Protection class: IP44
 Motor protection: Integrated active temperature management
 Blades: High Performance Composite Material, uncoated, black
 Rotor: Steel, 1 coat paint, Ultramarine blue
 Conformity: ErP 2015, CE
ErP Data
 Efficiency η_{statA} : 32.0 %
 Efficiency: $N_{actual} = 43.7 / N_{target} = 40^{**}$
 EC controller integrated
 * Rated data
 **ErP 2015

Characteristic curve



Measured in full bell mouth without guard grille in installation type A according to ISO 5801.

➤ Connection diagram KT00036A Page 606

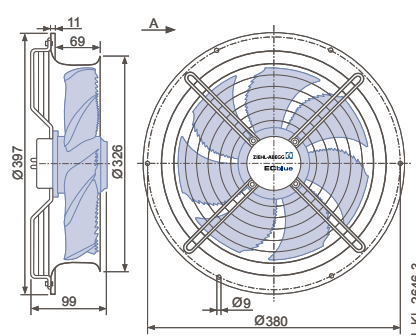
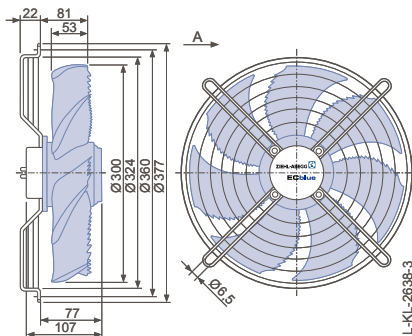
➤ System components Page 524

Dimensions [mm]

Airflow direction A

Design D - axial bolted, suspension for full bell mouth Q and L

Design L - round, full bell mouth



Performance data

Type	Characteristic curve	Torque	Operating point	Current	Motor input power	Suction side sound power level L_{WA5} [dB]
		%		I [A]	P_{sys} [W]	
FN030-6I_0E_7	I	100	①	0.82	120	69
		100	②	0.92	140	
		100	③	1.00	150	
	II	80	④	0.48	70	64
		80	⑤	0.52	75	
		80	⑥	0.58	80	
	III	60	⑦	0.26	32	57
		60	⑧	0.27	34	
		60	⑨	0.29	38	
	IV	40	⑩	0.14	14	47
		40	⑪	0.15	15	
		40	⑫	0.15	16	

Current values determined at 230V

Fan ordering information

Airflow direction A		Airflow direction V			
Design	D	L	K	H	I
Type	FN030-6ID.0E.A7	FN030-6IL.0E.A7	FN030-6IK.0E.V7	FN030-6IH.0E.V7	FN030-6II.0E.V7
Article no.	140031	140035	140051	140047	140043
Weight [kg]	3.70	5.30	3.90	5.30	3.70

Control technology

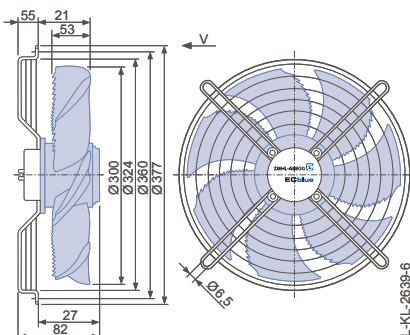
Control module



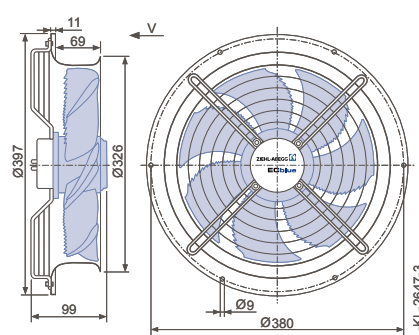
Page 544

Airflow direction V

Design K - axial bolted, mounted for short bell mouth E



Design H - pipe sockets with a flange



Design I - axial bolted, mounting for bell mouth flange for pipe socket H or full bell mouth Q or L

