

**ebm-papst Mulfingen GmbH & Co. KG**

Bachmühle 2

74673 Mulfingen

Phone: +49 7938 81-0

Fax: +49 7938 81-110

www.ebmpapst.com

info1@de.ebmpapst.com

Nominal data

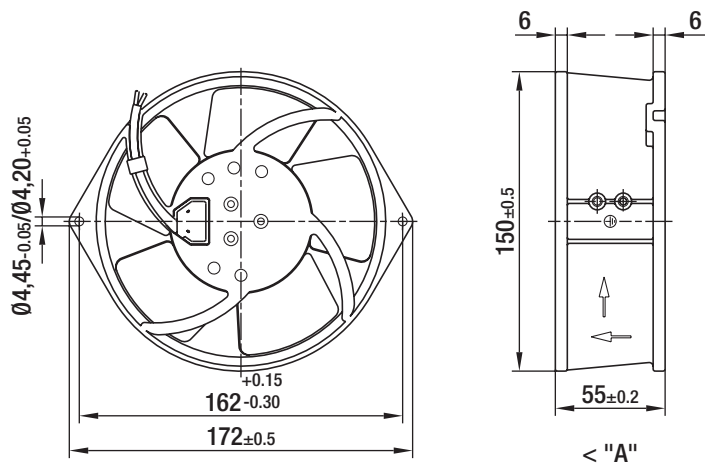
Type	W2S130-BM03-01		
Motor	M2S052-CA		
Phase		1~	1~
Nominal voltage	[V]	230	230
Frequency	[Hz]	50	60
Type of data definition		rfa	rfa
Valid for approval / standard		CE	CE
Speed	[min ⁻¹]	2700	3050
Power input	[W]	47	46
Current draw	[A]	0,31	0.27
Max. ambient temperature	[°C]	50	70
Air flow	[m ³ /h]	380	425
Back pressure	[Pa]	0	0
Sound pressure level	[dB(A)]	60	62

ml = max. load · me = max. efficiency · rfa = running at free air · cs = customer specs · cu = customer unit
Subject to alterations

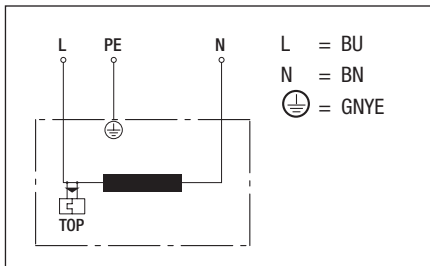
Technical features

Leakage current	< 0,75 mA
Dimensions	130 mm
Size	130 mm
Operation mode	Continuous operation (S1)
Direction of rotation	Counter-clockwise, seen on rotor
Direction of air flow	"A"
Insulation class	"B"
Bearing motor	Ball bearing
Mass	1.1 kg
Housing material	Die-cast aluminum, coated in black
Material of impeller	Sheet steel, coated in black
Motor protection	Thermal overload protector (TOP) wired internally
Product conforming to standard	CE
Type of protection	IP 20
Protection class	I
Approval	CCC; CSA C22.2 Nr.13; GOST; UL 507; VDE

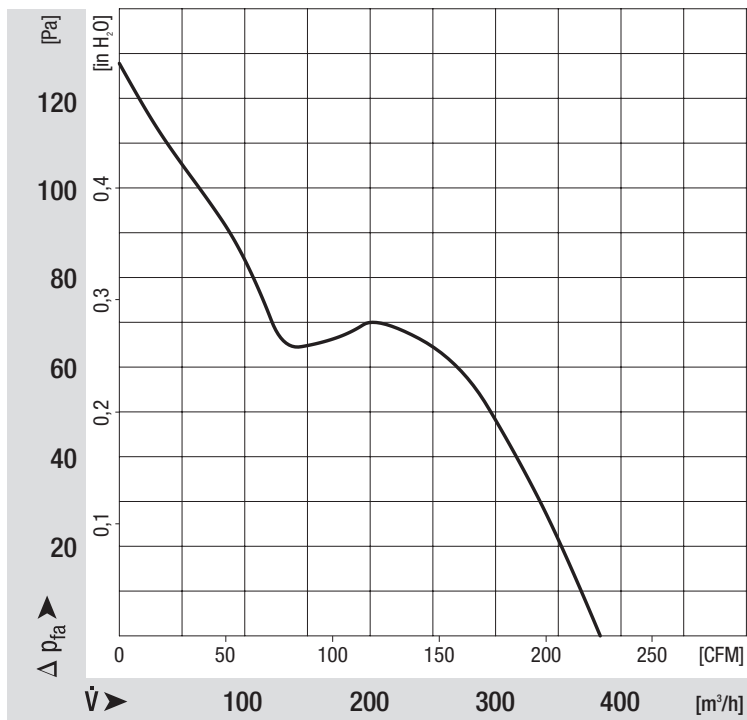
Product drawing



Connection screen



Charts: Air flow 50 Hz



Charts: Air flow 60 Hz

