

ebm-papst ventilator (Shanghai)Co.,Ltd.

No.418, Hua jing Road, Wai Gao qiao Free Trade one, Pudong

Tel: +86(0)21-50460183

www.ebmpapst.com

Nominal data

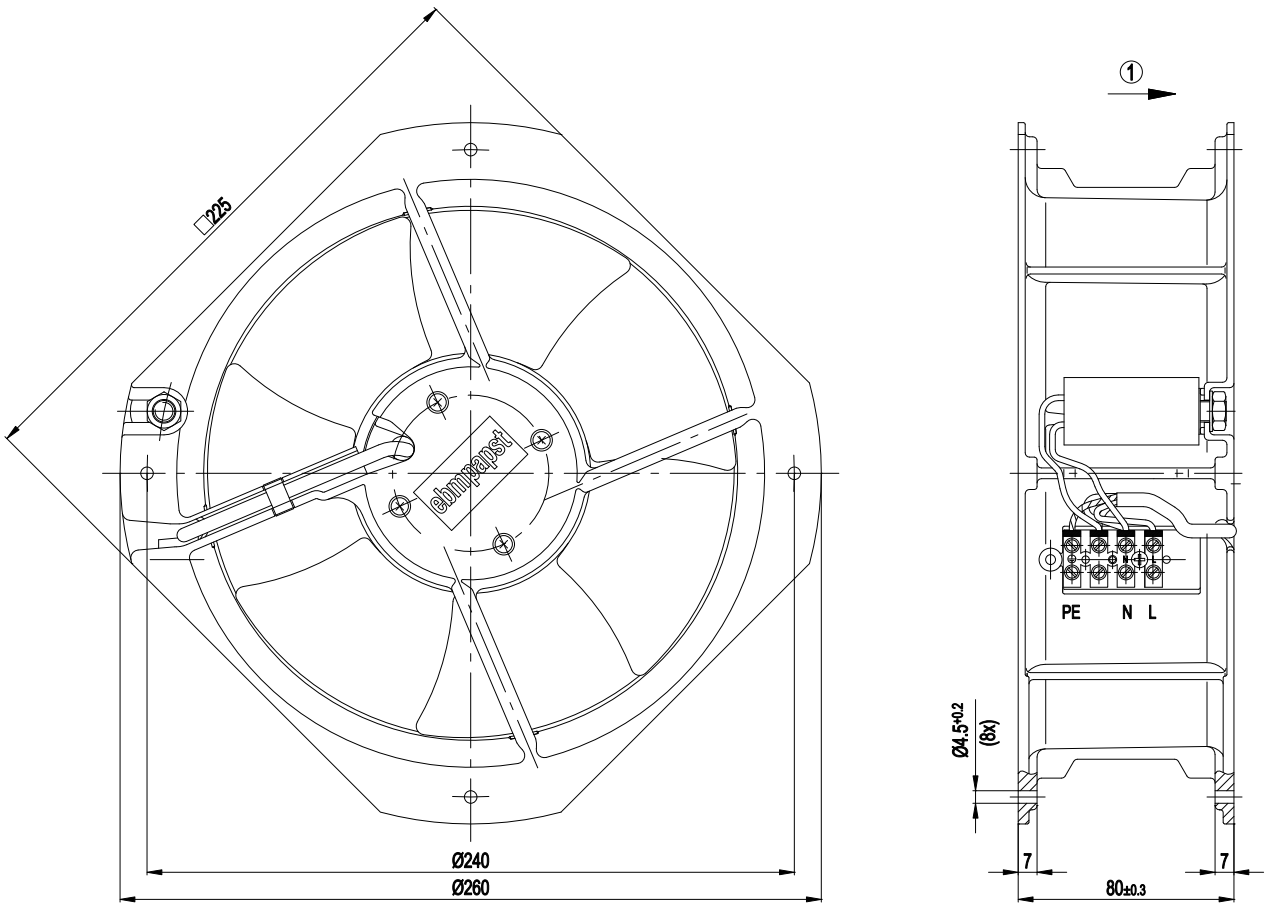
| | | | |
|-------------------------------|-----------------------|---------|---------|
| Type | W2E200-HK38-01 | | |
| Motor | M2E068-BF | | |
| Phase | | 1~ | 1~ |
| Nominal voltage | [V] | 230 | 230 |
| Frequency | [Hz] | 50 | 60 |
| Type of data definition | | rfa | rfa |
| Valid for approval / standard | | CE | CE |
| Speed | [min ⁻¹] | 2550 | 2800 |
| Power input | [W] | 64 | 80 |
| Current draw | [A] | 0.29 | 0.35 |
| Motor capacitor | [μF] | 1.5 | 1.5 |
| Capacitor voltage | [VDB] | 450 | 450 |
| Capacitor standard | | P0 (CE) | P0 (CE) |
| Max. back pressure | [Pa] | 80 | 95 |
| Max. ambient temperature | [°C] | 60 | 65 |

ml = max. load · me = max. efficiency · rfa = running at free air · cs = customer specs · cu = customer unit
 Subject to alterations

Technical features

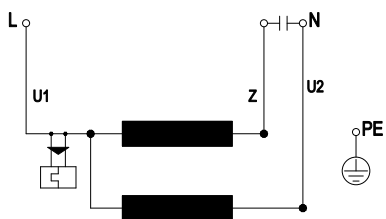
| | |
|---|---|
| Leakage current | < 0.75 mA |
| Size | 200 mm |
| Operation mode | S1 |
| Direction of rotation | Counter-clockwise, seen on rotor |
| Mounting position | Any |
| Electrical leads | Via terminal strips, integrated capacitor connected via terminal strips |
| Humidity class | F0 |
| Direction of air flow | "V" |
| Insulation class | "B" |
| Cable exit | Variable |
| Condensate discharge holes | None |
| Bearing motor | Ball bearing |
| Mass | 2.1 kg |
| Material of blades | Sheet steel, coated in black |
| Material of wall ring | Die-cast aluminium |
| Motor protection | Thermal overload protector (TOP) wired internally |
| Product conforming to standard | EN 60335-1 |
| Surface of rotor | Coated in black |
| Number of blades | 7 |
| Type of protection | IP 44; Depending on installation and position |
| Protection class | I |
| Max. permissible ambient motor temp. (transp./ storage) | + 80 °C |
| Min. permissible ambient motor temp. (transp./storage) | - 40 °C |
| Approval | CCC; UL; VDE; EAC |

Product drawing



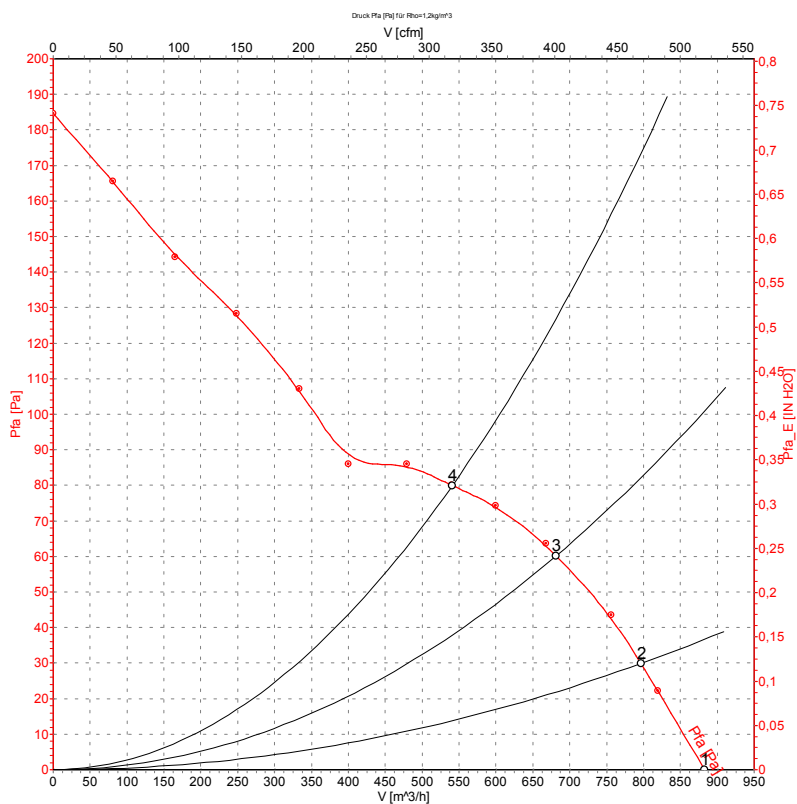
1 Direction of air flow "V"

Connection screen



| | | | | | |
|----|--------------|---|-------|----|-------|
| U1 | blue | Z | brown | U2 | black |
| PE | green/yellow | | | | |

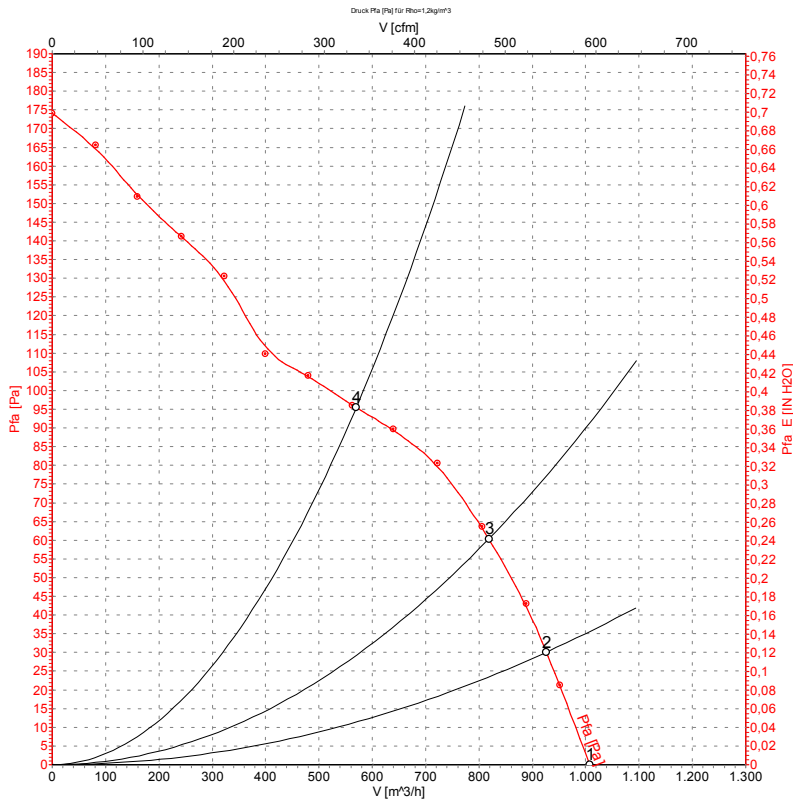
Charts: Air flow 50 Hz



Measured values

| | U | f | n | P ₁ | I | \hat{V} | P _{fa} |
|---|-----|------|----------------------|----------------|------|-----------|-----------------|
| | [V] | [Hz] | [min ⁻¹] | [W] | [A] | [m³/h] | [Pa] |
| 1 | 230 | 50 | 2630 | 60 | 0.30 | 880 | 0 |
| 2 | 230 | 50 | 2585 | 64 | 0.31 | 795 | 30 |
| 3 | 230 | 50 | 2530 | 66 | 0.31 | 680 | 60 |
| 4 | 230 | 50 | 2480 | 69 | 0.32 | 540 | 80 |

Charts: Air flow 60 Hz



Measurement: LU-62129

Measured values

| | U | f | n | P ₁ | I | \hat{V} | P _{fa} |
|---|-----|------|----------------------|----------------|------|-----------|-----------------|
| | [V] | [Hz] | [min ⁻¹] | [W] | [A] | [m³/h] | [Pa] |
| 1 | 230 | 60 | 3000 | 70 | 0.31 | 1000 | 0 |
| 2 | 230 | 60 | 2935 | 73 | 0.32 | 925 | 30 |
| 3 | 230 | 60 | 2850 | 77 | 0.34 | 820 | 60 |
| 4 | 230 | 60 | 2705 | 83 | 0.36 | 570 | 95 |