

FB

for single phase alternating current, 6 pole

FBO56-6E



Description

Motor technology: AC
 Rated voltage U_N : 1~ 230 V \pm 10 %*
 Rated frequency f_N : 50 Hz*
 Motor input power P_1 : 0.37 kW*
 Rated current I_N : 1.70 A*
 Rated speed n_N : 900 min⁻¹*
 Starting current I_A : 3.80 A
 Current increase ΔI : 20 %
 Service capacitor C_{400V} : 8.0 μ F
 Thermal class: THCL155*
 Min. permitted conveyor temperature $t_{R(min)}$: -25 °C
 Max. permitted conveyor temperature $t_{R(max)}$: 65 °C
 Electrical connection: Terminal box
 Number of blades: 4
 Protection class: IP54
 Motor protection: Thermal contact
 Blades: Aluminium, uncoated
 Rotor: Aluminium, uncoated
 Conformity: ErP 2013, CE

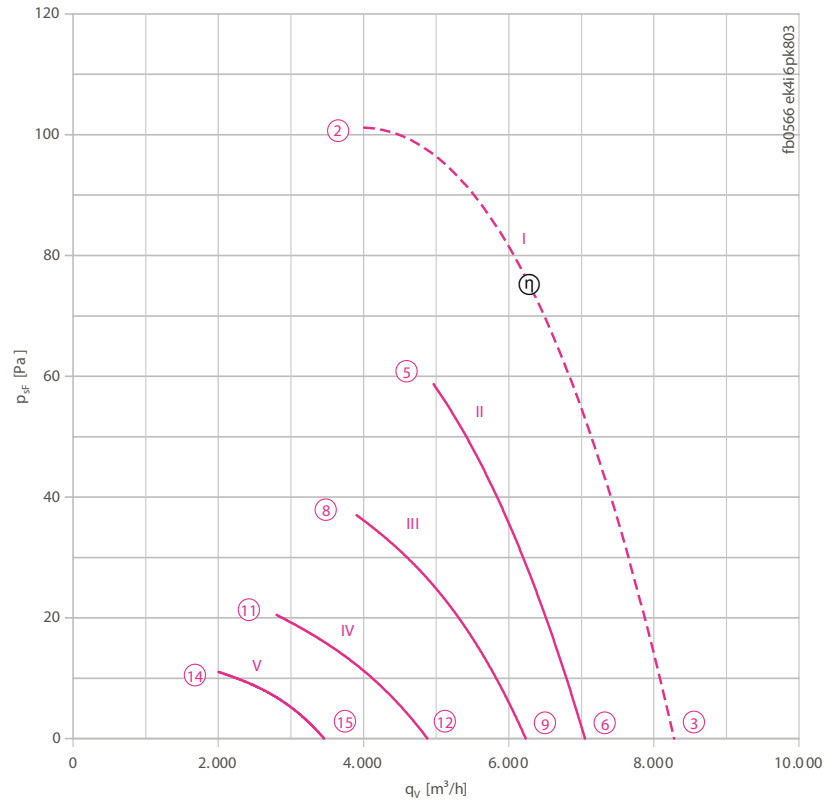
ErP Data

Efficiency η_{statA} : 28.7 %
 Efficiency: $N_{actual} = 38.0 / N_{target} = 36$ **
 * Rated data
 **ErP 2013

Connection diagrams Page 608
 for airflow direction V 1360-104XA
 for airflow direction A 1360-104XB

System components Page 524

Characteristic curve

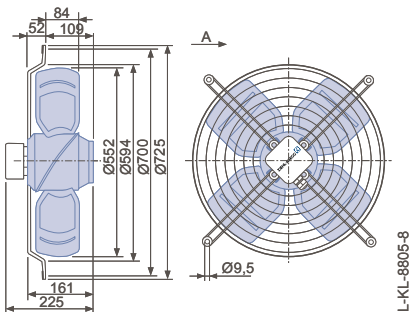


I) Measured in full bell mouth without guard grille in installation type A according to ISO 5801.
 II-x) Measured in short-bell mouth with compressed side contact protection.

Dimensions [mm]

Airflow direction A

Design W - axial bolted, mounting for short bell mouth E





Performance data

Type	Characteristic curve	Voltage	Operating point	Current	Motor input power	Speed	Suction side sound power level L_{WA5} [dB]	Max. permitted media temperature t_{R+} [°C]
		U [V]		I [A]	P_1 [W]	n [min ⁻¹]		
FB056-6E_4I_4P	I	230*	②	1.70*	370*	900*		65
		230	③	1.45	320	920	73	
	II	230	⑤	1.60	350	910	72	70
		230	⑥	1.35	300	930	72	
	III	160	⑧	1.90	280	730	67	
		160	⑨	1.60	240	820	68	
	IV	130	⑪	1.90	210	550	61	
		130	⑫	1.70	200	640	63	
	V	105	⑭	1.55	145	380	57	
		105	⑮	1.50	140	460	56	

*rated data

Fan ordering information

Airflow direction A		Airflow direction V	
Design	W		K
			
Type	FB056-6EW.4I.A4P		FB056-6EK.4I.V4P
Article no.	106941		124175
Weight [kg]	12.10		12.10

Control technology

<p>Frequency inverter Fcontrol 1~</p>  <p>Page 552</p>	<p>Motor protection units 1~</p>  <p>Page 596</p>	<p>Transformer-based controllers 1~</p>  <p>Page 587</p>	<p>Electronic voltage controllers 1~</p>  <p>Page 562</p>
-----------------------------------------------------------------------------------------------------------------------------------------------	------------------------------------------------------------------------------------------------------------------------------------------	-------------------------------------------------------------------------------------------------------------------------------------------------	---------------------------------------------------------------------------------------------------------------------------------------------------

Airflow direction V

Design K - axial bolted, mounted for short bell mouth E

